

NAV PAC™

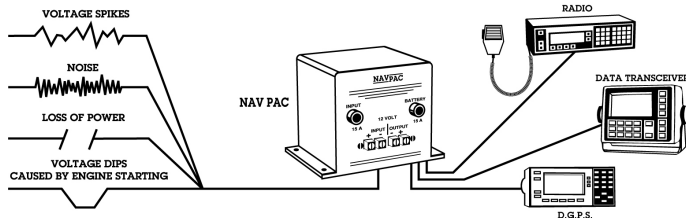
Model: NP-24 24 Volt Installation / Operation Manual



General Information

The NAV-PAC protects electronics from voltage spikes, power surges, momentary power losses, abrupt voltage changes and noise interference on incoming DC power to MDTs, GPS, and other onboard Electronics prone to memory loss or "crashes". NAV-PAC is a solid state device which provides "pure" power to navigation electronics by performing several essential functions.

D.C. Input Problems Here



1) Voltage Spike Protection: Engine cranking, pump and motor operation send voltage "spikes" through a mobile electrical system that often "bulldoze" their way through the electronic circuitry. NAV-PAC eliminates this ruinous condition.

2) R.F. Noise Filtering: The NEWMAR NAV-PAC contains a four-element low-pass LC filter which provides very high radio frequency attenuation in both positive and negative power leads to the receiver preventing noise from adversely affecting signal reception and related operation.

3) Back-Up Power: A long-life, completely sealed "Dry Battery" pack is built-in the NAV-PAC which acts as a power reservoir and is charged from the onboard 24 Volt power. In the event of a drop in DC voltage due to engine cranking or total power interruption, the battery will maintain power to navigation and communication equipment for a short period of time. This is essential for preventing memory or data loss.

4) Timed Disconnect Circuit: This circuit prevents damage to the internal battery from extreme discharge by disconnecting the NAV-PAC battery approximately 15 minutes after abrupt drop or complete loss of DC input.

5) Low Battery Disconnect Circuit: This circuit prevents damage to the internal battery from extreme discharge by disconnecting the battery whenever battery voltage reaches 10.2 VDC

Materials Provided

Your NAV-PAC comes with the following materials:

(4) #8 ring lugs for 10-12 guage wire

(1) Installation/Operation Manual

Check to see that these items have been included with the packaging. For any missing items, please contact factory.

Installation

1) After you have determined the best location in the system, locate a flat surface close to the power line that feeds the GPS or MDT. For best results, the NAV-PAC unit should be within 24" of the critical electronics. The case need not be grounded, so it is acceptable to mount the unit to wood or metal. Securely mount the NAV-PAC.

Turn off power to the wires that will be cut or worked on by disconnecting the battery or shutting off the appropriate circuit. Identify the positive and negative lead in the power line and cut at an appropriate location. Use the lugs supplied to hook up the NAV-PAC to your system.

2) Using the table below, select the proper wire size for your installation.

AMPS*	CABLE LENGTH (feet)	
	10'	15'
0 - 10 AMPS	14 AWG	12 AWG
10 - 15 AMPS	12 AWG	10 AWG

*Current draw of equipment being powered.

Replace terminal block cover to prevent accidental shortings the terminals.

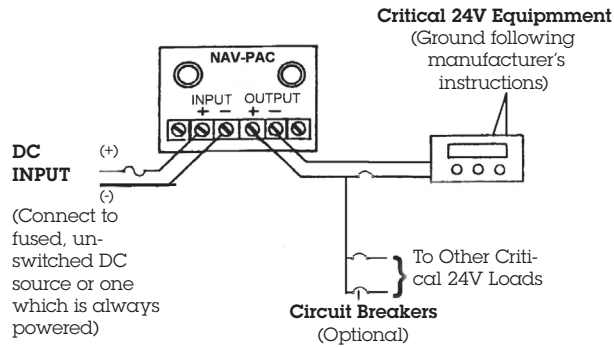
Important Installation Note: If there is to be a continuous load on the NAV-PAC output during normal operations, the DC input must be a minimum of 26.8 VDC to prevent discharge of the internal battery.

NEWMAR
DC Power Onboard™
www.newmarpower.com

M-NP24

As of July 2010

Typical Installation Diagram



Operation

In the event of a loss of DC input to the NAV-PAC, the navigation equipment is being powered by the NAV-PAC's internal battery only. The timed battery disconnect circuit will initiate. After approximately 15 minutes with no DC input, the NAV-PAC's internal battery will automatically disconnect from the NAV-PAC's output. This is to protect the battery discharge if the input is switched off. To reset this circuit, input to the NAV-PAC must be restored. The timer will automatically reset once DC input voltage recovers.

Bear in mind that the NAV-PAC has another disconnect circuit which may cause it to shut down sooner. The battery is also protected by a low-voltage disconnect circuit. Should the current draw of the device being powered cause the battery voltage to drop to 20.4 VDC before 15 minutes have passed, then this circuit will disconnect the battery from the output. The amount of time the equipment will continue to function normally before the NAV-PAC will shut down will depend, in this case, upon the current draw of the device being powered. (See **Back-Up Power** in the **Specifications** section.) To reset this circuit, the internal battery must be recharged. Reduce or shut off the electronic load, and insure that an adequate charge voltage is restored to the input. (See **Battery Charging/Replacement**).

If you are unable to restore DC power immediately, it is probably a good idea to turn off the equipment being powered by the NAV-PAC. Most communication or navigation equipment with built-in memory has a "keep alive" or "soft" shutdown that is activated by the on/off switch. But if the input voltage is slowly reduced, as will occur when the NAV-PAC battery discharges, this "keep alive" feature may not activate, resulting in loss of memory, waypoints, etc.

Remember: When you wish to shut off your comm/nav equipment, you must shut it off with the power switch to the equipment itself. **Do not shut off the input to the NAV-PAC.** The NAV-PAC will simply treat this the same as an emergency loss of DC input, and will continue to supply the comm/nav equipment with DC power from its internal battery until auto-shutdown occurs.

Battery Charging/Replacement

Caution: Do not leave the battery discharged for extended periods of time. It may be permanently damaged and may not take a recharge.

The battery requires no maintenance and is completely sealed. Battery life is up to five years. To charge, the battery requires an input voltage of 27.6 to 29.6 VDC for 3-4 hours or more per month. To prevent discharging, the battery requires a nominal input of 26.8 to 28.8 VDC. These voltages are normally produced by an engine alternator or good quality battery charger.

The battery storage time @ 23° C is 400 days. The battery should be replaced no less frequently than every five (5) years to guarantee proper operation of the NAV-PAC. (Request P/N 591-0412-0). The NP-24 uses two (2) 591-0412-0, 12 volt, 5 amp-hour batteries. We recommend replacing both batteries at the same time.

To determine the age of the battery in your NAV-PAC, check the quality control sticker on the end of the unit. The first four digits of the serial number (designated "s/N") refer to the year and month of manufacture. For instance, a unit with a serial number starting "0835" was manufactured the 35th week of 2008. Be sure to mark the date of replacement on this sticker for future reference.

Battery Replacement Proceeds as Follows - Refer to Figure 1 & 2

Caution: Take care to ensure that you do not short the battery terminals during installation. The resulting high current can melt wires and cause other damage to the unit.

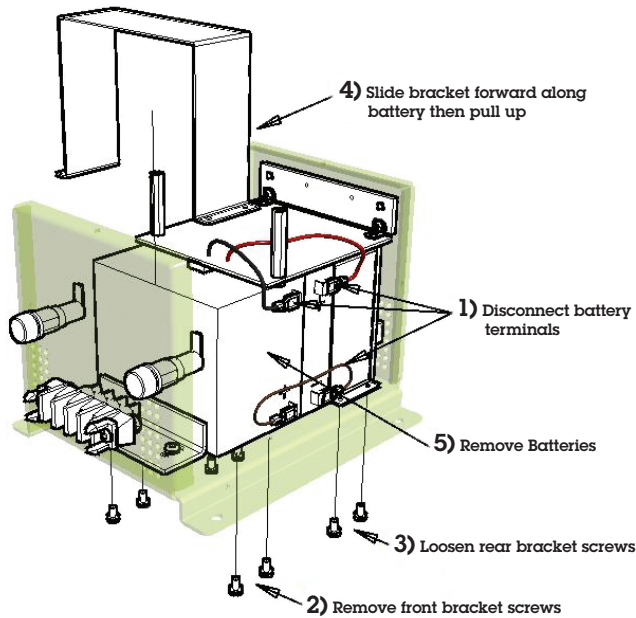
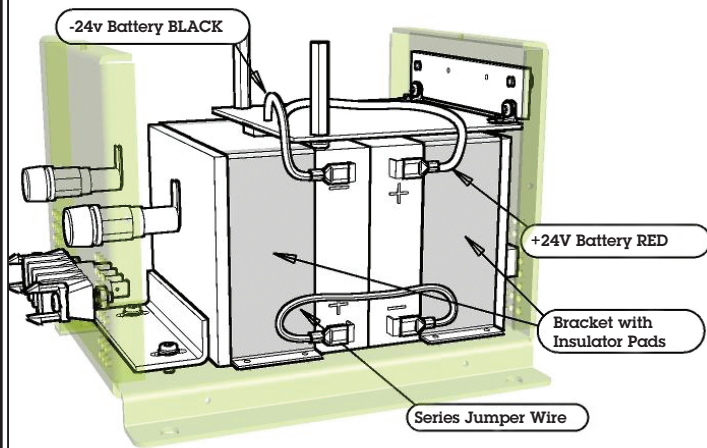
- 1) Turn off power to the input wiring and disconnect all input and output connections to the NAV-PAC. Remove the unit from the mounting surface.
- 2) Remove the fuse from the fuseholder labeled "BATTERY" on the front panel.
- 3) Remove the four screws on the top of the unit and the four screws on either side of the unit.
- 4) Remove the cover.
- 5) Disconnect the wires from the battery terminals.
- 6) Remove the four (4) screw/washer sets from the forward battery bracket. Loosen the four screw/washer sets on rear battery bracket. Slide out the forward battery bracket and both batteries from beneath the PCB.
- 7) Carefully observing battery terminal location and polarity, slide the replacement batteries and forward battery bracket in beneath the PCB.
- 8) Re-install the four battery bracket screw/washer sets for the forward battery bracket and securely tighten all eight (8) battery bracket screws.
- 9) Re-connect the battery series jumper wire and the -24V Battery Black and +24V Battery Red to the correct terminals.

NEWMAR
DC Power Onboard™
www.newmarpower.com

- 10) Re-install cover, fuses, 24 volt output and input connections, and verify equipment receives 24 volt power.
- 11) See paragraph 1 of "Test/Troubleshooting" section to verify back-up power operation.

Dispose of the old batteries properly and according to local codes. Although the batteries are sealed, they are a lead-acid type and there may be restrictions on its disposal.

Figure 1 & 2: Battery Replacement Procedure



Test / Troubleshooting

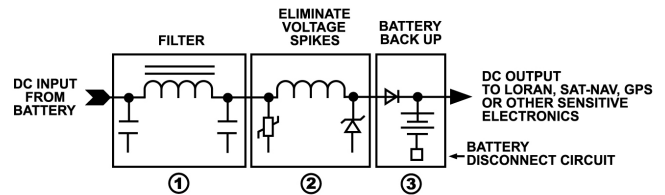
To test the battery operation, disconnect the input power at the source or remove the input fuse, and, using a voltmeter, note that the DC output power is still present on the output terminals. Note that after approximately 15 minutes, the output will disconnect automatically to protect the internal battery. You should then measure no voltage on the output terminals. To reset this timed circuit, reconnect the NAV-PAC

input to the ship/vehicle's battery. The noise filtering and spike protection circuitry won't require testing unless the NAV-PAC blows fuses repeatedly, or has had a nearby lightning strike, or other very high energy transient.

If the NAV-PAC blow fuses repeatedly (replace with 15 Amp Fast Acting Fuse: ABC-15), this usually indicates a shorted component. Have a qualified technician perform the repairs or return the unit to NEWMAR for factory inspection.

Always verify that the replaced fuses are of the correct rating. Use standard or fast-blow fuses. Do not use slow-blow fuses.

**Theory of NAV-PAC Operation
Noise Filter/Voltage Transient Protector with Battery Back-Up**



The NAV-PAC is wired in series with the DC power to sensitive electronics and:

- 1) Filters out noise interference on incoming power lines
- 2) Clamps voltage spikes and transients to a safe level
- 3) Provides battery back-up power during voltage drops due to starter motors and momentary losses of power.

Specifications

Input: 24 VDC, Nominal Charging: 27.6-28.8VDC
 To Prevent Discharge: 26.8-28.8 VDC, Maximum 31.0 VDC

Output: Filtered, Voltage Spike Protected with Back-UP Battery 15 amps max

Back-Up Power: 24 VDC Nominal
 5.0 AH Capacity
 8 amps for Fifteen (15) Minutes
 12 amps for Eight (8) Minutes
 15 amps for Two (2) Minutes

Battery: Sealed Rechargeable Lead-Acid 5.0 AH, 5 Years
 Typical Life - Replaceable

Filtering: Audio Through 200 MHz

Voltage Spike Protection: Transient Energy Capability; 100 Joules, 4,000 amps Max.

Operating Temperature: 0-50° C

Size/Weight: 6" H x 6.75" W x 7.5" D; 8 Lbs.
 13.3 H x 17.14 W x 19 D (cm); 3.6 Kgs.

