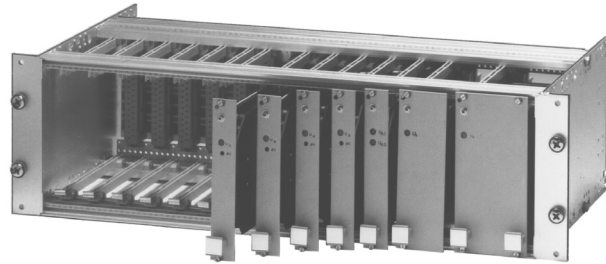


Modular Power Supply

Modular Power Supply on Euro - Card as a complete power supply as secondary - switched regulator card as DC/DC converter

Composed from 5 different module types
For mains input and/or battery operation
Output voltage 5 V, ± 12 - 15 V, 24V
Most output powers catered for
Construction as Euro-Card or
complete 3U-rack



Technology:

Easy combination of output voltages. Power output increase via shunting.

Especially suited for integration in 19" cardrack.

Assembly is possible directly on the assembly board via insert nuts or for increased heat dissipation (instead of the heat sink) directly on the external housing wall via snap-on fastening on supporting rails or in a plug-in unit as a complete power supply unit dependant on requirements.

Various connection possibilities via H 15 plugs, 31-pole, 32-pole, 54-pole connectors or single flat connectors and/or terminal screws.

Uninterrupted power supply (even subsequently) via additional buffering with 24 V battery or a different battery voltage via DC - DC converter in series.

Unmonitored operation via current limiter, sustained short circuit resistance, overtemperature switch-off and LED display of the state "ready for operation".

Economic efficiency:

An economic solution using mass produced standart modules, eliminating special power supply development costs.

Low Cost servicing via replacement of modules rather than complete power supply units.

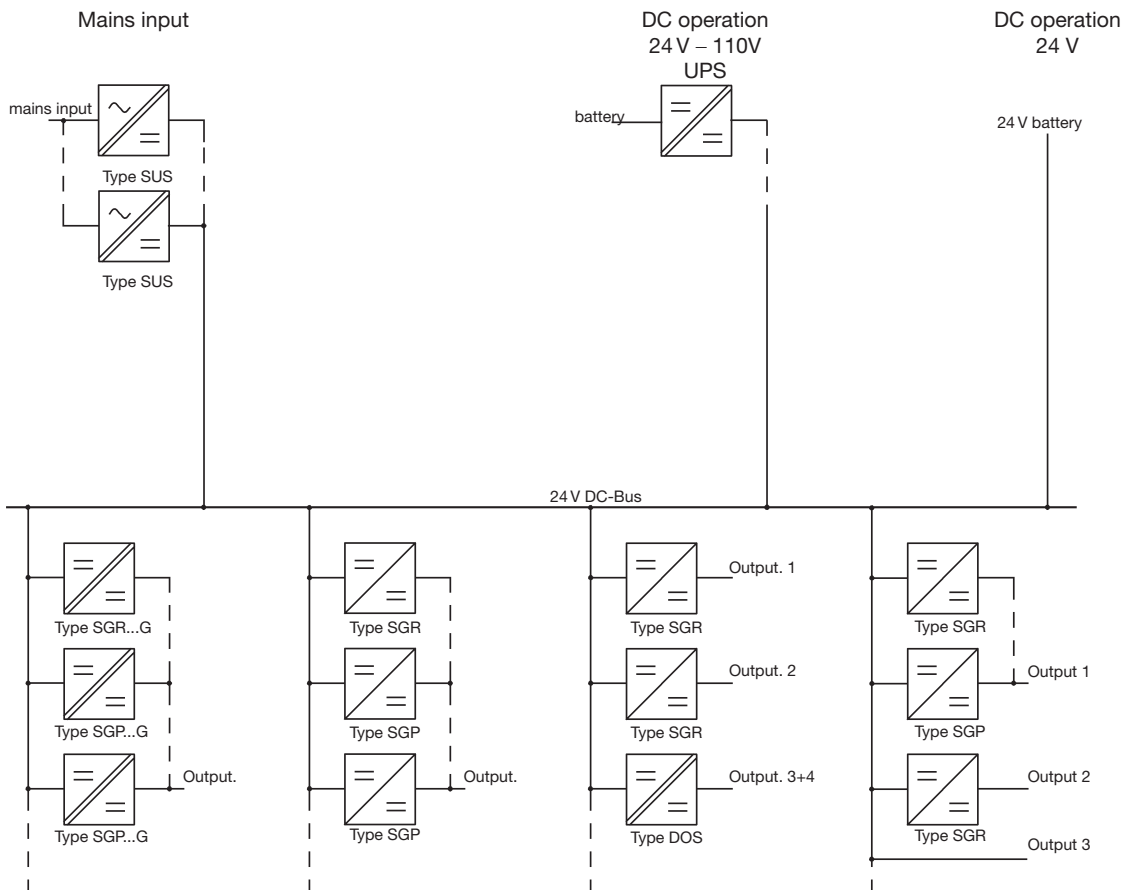
Low stocking costs with a small number of similar modules.

Reuse existing knowledge using the system principles to adapt a solution for almost any requirement.

An exceptional solution in terms of flexibility quality and adherence to standards.

Modules:

AC/DC transformer - card	Series SUS	Transformer, rectifier and filter capacitor to be connected to all common line voltage. DC output voltage 24 V (unregulated) Output power 72 W, 120 W or 240 W Power-boost by parallel operation (with same transformer card)
DC/DC converter - card	Series SGR Series SGR...G	For positiv U_{out} , negativ U_{out} and with galvanic isolation. DC input voltage $24 V \pm 25\%$ DC output voltage 5 V, $12 \div 15 V$, 24 V DC output current max. 6 A, 3 A, 2 A Power - boost by parallel operation (with power-card SGP.)
DC/DC regulator - card	Series DOS	For double voltages with galvanic isolation. DC input voltage DOS: $24 V \pm 25\%$, DC output voltage/-current DOS: $2 \times 12 V/0,5 A$, $2 \times 15 V/0,5 A$
Power-Card	Series SGP Series SGP...G	technical data see regulator-card however without an own regulator for power-boost in combination with a regulator-card



Information & specifications contained in this data sheet are believed to be correct at the time of publication. However, Zentro-Elektrik accept no responsibility for consequences arising from printing errors or inaccuracies. Specifications are subject to change without notice.